

PLEASE CHECK WWW.MOLEX.COM FOR LATEST PART INFORMATION

Part Number: [0357980290](#)
Status: **Active**
Description: 8.00mm (.315") Pitch Wire-to-Board Header, Vertical, 1.78mm (.070") Tab, 2 Circuits, PP Polypropylene 94V-0, White

Documents:

[3D Model](#) [Product Specification PS-35798-001 \(PDF\)](#)
[Drawing \(PDF\)](#) [RoHS Certificate of Compliance \(PDF\)](#)

General

Product Family	PCB Headers
Series	35798
Application	Wire-to-Board
Product Name	N/A

Physical

Breakaway	No
Circuits (Loaded)	2
Circuits (maximum)	2
Durability (mating cycles max)	30
First Mate / Last Break	No
Glow-Wire Compliant	No
Guide to Mating Part	No
Keying to Mating Part	None
Lock to Mating Part	Yes
Material - Plating Mating	Tin
Number of Rows	1
Orientation	Vertical
PC Tail Length (in)	0.130 In
PC Tail Length (mm)	3.30 mm
PCB Locator	Yes
PCB Retention	Yes
PCB Thickness Recommended (in)	0.062 In
PCB Thickness Recommended (mm)	1.60 mm
Packaging Type	Bag
Pitch - Mating Interface (in)	0.315 In
Pitch - Mating Interface (mm)	8.00 mm
Polarized to PCB	No
Shrouded	Partial
Stackable	No
Temperature Range - Operating	-40°C to +120°C
Termination Interface: Style	Through Hole

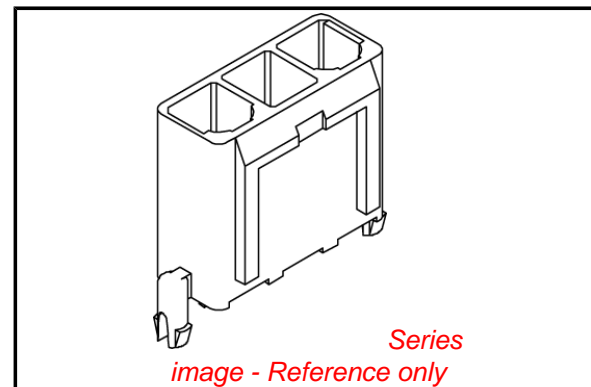
Electrical

Current - Maximum per Contact	15A
Voltage - Maximum	300V

Material Info

Reference - Drawing Numbers

Product Specification	PS-35798-001
Sales Drawing	SD-35798-001



EU RoHS

ELV and RoHS Compliant
REACH SVHC
 Not Reviewed
Halogen-Free Status
 Not Reviewed

China RoHS



Need more information on product environmental compliance?

Email productcompliance@molex.com
 For a multiple part number RoHS Certificate of Compliance, [click here](#)

Please visit the [Contact Us](#) section for any non-product compliance questions.

Search Parts in this Series

[35798Series](#)

Mates With

[35799 Wire-to-Board Housing](#)

DWG. NO.
SD-35978-001

SIMILAR ITEM

PROJECT NO.

B

DO NOT SCALE DRAWING
DIMENSION IN METRIC

8 7 6 5 4 3 2 1

F

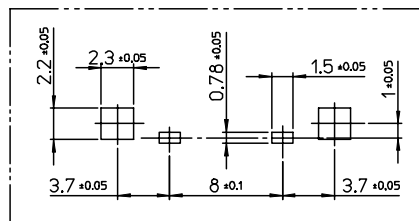
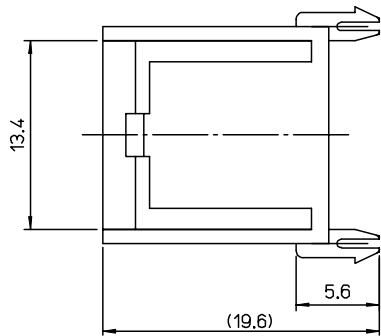
E

D

C

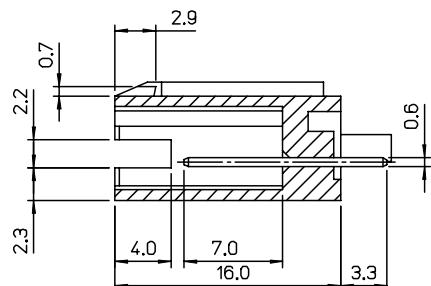
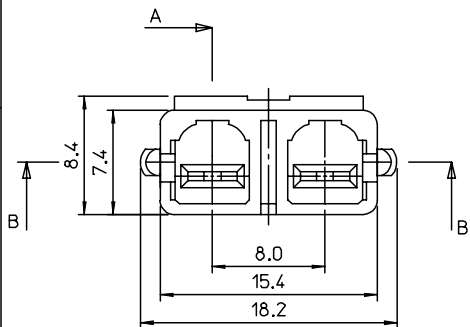
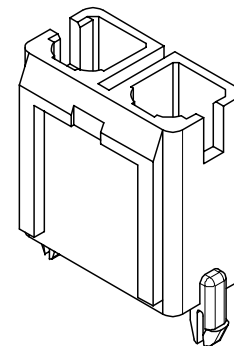
B

A



(RECOMMENDED PCB HOLE LAYOUT)

PCB THICKNESS=1.6mm



SECTION A-A

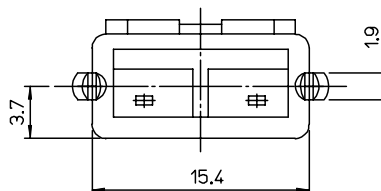
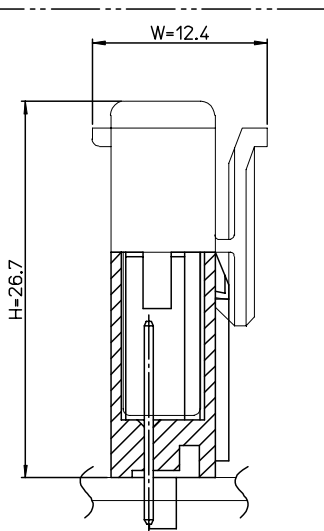
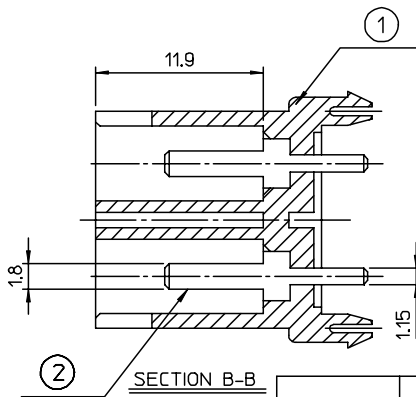


TABLE 1		ASS'Y PART	
	DESCRIPTION	MATERIAL	
①	HEADER HOUSING-2P	POLYPROPYLENE (UL94V-0)	
		NYLON66 (UL94V-2)	
②	0.6THICKNESS TAB	BRASS PRE-TIN PALATING	



MATED VIEW



SECTION B-B

TABLE 2	MATERIAL NO.	ENG NO.	MATED HOUSING	HEADER HOUSING	
				MATERIAL	COLOR
	357980210	35798-0210	35799-0210	NYLON66 (UL94V-2)	NATURAL
	357980290	35798-0290	35799-0290	POLYPROPYLENE (UL94V-0)	NATURAL
	357980212	35798-0212	35799-0212	NYLON66 (UL94V-2)	RED
	357980292	35798-0292	35799-0292	POLYPROPYLENE (UL94V-0)	RED

REVISED	ECN NO. KR2005-0192	DRWN: JB.JIN 05/04/21	CHK: W.Y.YANG	APPR: CW.LEE
A1	REV	DESCRIPTION	QUALITY SYMBOLS	MAJOR ▲
				CRITICAL ▽

GENERAL TOLERANCES: (UNLESS SPECIFIED)	SCALE 3:1	DESIGN UNITS <input checked="" type="checkbox"/> mm <input type="checkbox"/> INCH	THIRD ANGLE <input checked="" type="checkbox"/> THIRD ANGLE PROJECTION	SHT 1 OF 1	REV
---	--------------	--	---	---------------	-----

4 PLACES ±0.	±.	DRAWN BY & DATE C.B.HIN 01/04/17	TITLE: .070 W/B CONN. HEADER ASS'Y-2P
3 PLACES ±0.	±.	CHECKED BY & DATE B.K.CHOI 01/04/17	MOLEX INCORPORATED
2 PLACES ±0.3	±.	APPROVED BY & DATE C.W.LEE 01/04/17	
1 PLACE ±0.3	±.	CAD FILENAME S35978AA.MI	MATERIAL NO. SEE TABLE 2
ANGULAR: ± °		DRAWING NO. SD-35798-001	SHEET NO. 1 OF 1

DRAFT WHERE APPLICABLE MUST REMAIN WITHIN DIMENSIONS		THIS DRAWING CONTAINS INFORMATION THAT IS PROPRIETARY TO MOLEX INCORPORATED AND SHOULD NOT BE USED WITHOUT WRITTEN PERMISSION.		SIZE B
---	--	---	--	-----------

8 7 6 5 4 3 2 1 KOREA MX-A3